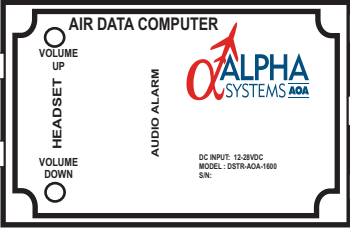




One Enhanced AOA Display Module listed below,

- Enhanced Horizontal Classic Display, P/N DSTR-AOA-3000HE
- Enhanced Round Classic Display, P/N DSTR-AOA-2000RE
- Enhanced Vertical Classic Display, P/N DSTR-AOA-3000VE
- Enhanced "Ultra" Horizontal Display, P/N DSTR-AOA-8000HE
- Enhanced "Ultra" Vertical Display, P/N DSTR-AOA-8000VE
- or
- Enhanced "Legacy" Display, P/N DSTR-AOA-9000E

AOA I/F Module with Enhanced Audio
P/N DSTR-AOA-1860



BLUE
DISPLAY
YELLOW
I/O
RED
POWER

Power Cable
P/N AOA-4028

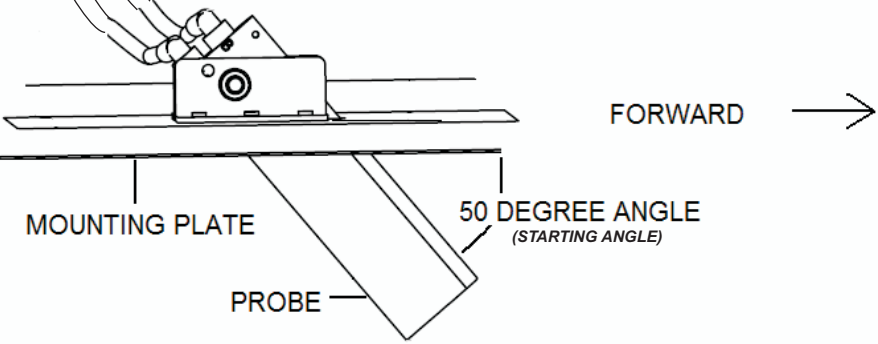
Power Cable pigtail connections

- +12 to +28V DC Power Source
- Power Source Ground
- Metal Ground
(may or may not be present)
(If present, connect to metal surface of aircraft if Control Module is not mounted to a metal surface)

Wire Color
White
White/Blue
Drain Wire

Increase Master Headset Audio Volume by pressing the VOLUME UP recessed button
Decrease Master Headset Audio Volume by pressing the VOLUME DOWN recessed button

Pressure Hoses



Auxiliary (Audio) Cable
P/N AOA-4048E

Auxiliary Panel Cable pigtail connections to Aircraft Audio Panel:

Signal	Wire Color
AP Audio (mono)	Green/White
AP Ground	Black/White
Shielding wire	

1 Volt P-P max, @ 300 ohm input impedance

AOA I/F Module Connector Pin Definitions		
Connector	Pin #	Definition
	1	+12VDC to +28VDC Input
	2	Power Ground
	3	Metal Ground
	1	AP Ground
	2	AP Audio (mono)
	3	Reserved
	4	Shield
	1	Display +5VDC Power
	2	Beeper signal (TTL level)
	3	Pressure Analog Output
	4	Power Ground
	5	Play Voice Chip
	6	Pitch Change (Beep)
	7	Forward Voice Chip
	8	Spare I/O
	9	N/C
	10	N/C

ALPHA SYSTEMS Enhanced AOA (DSTR-AOA-1860) connection diagram