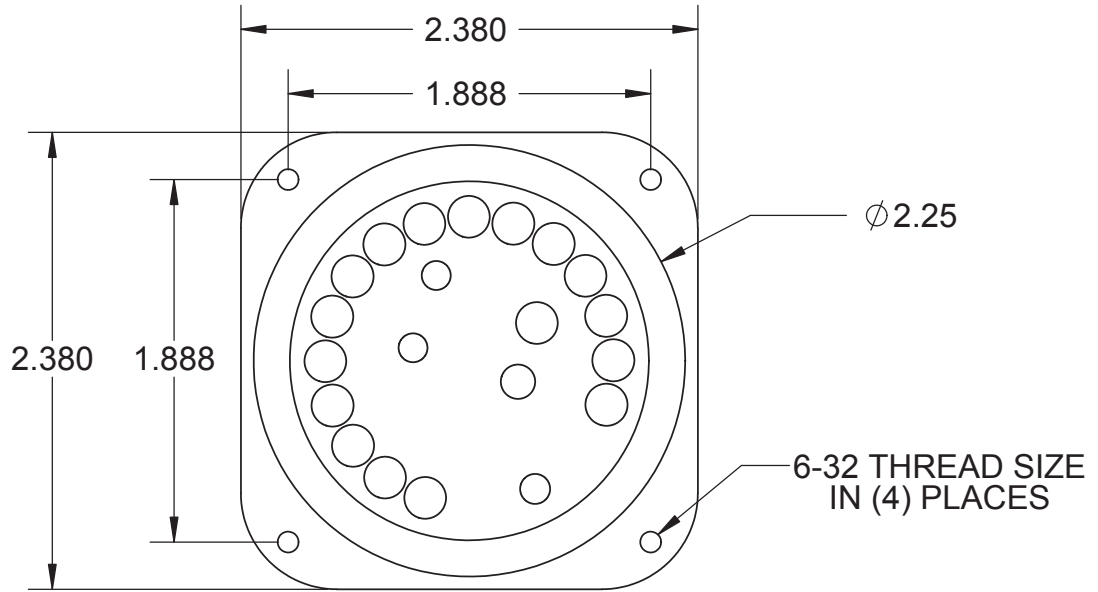
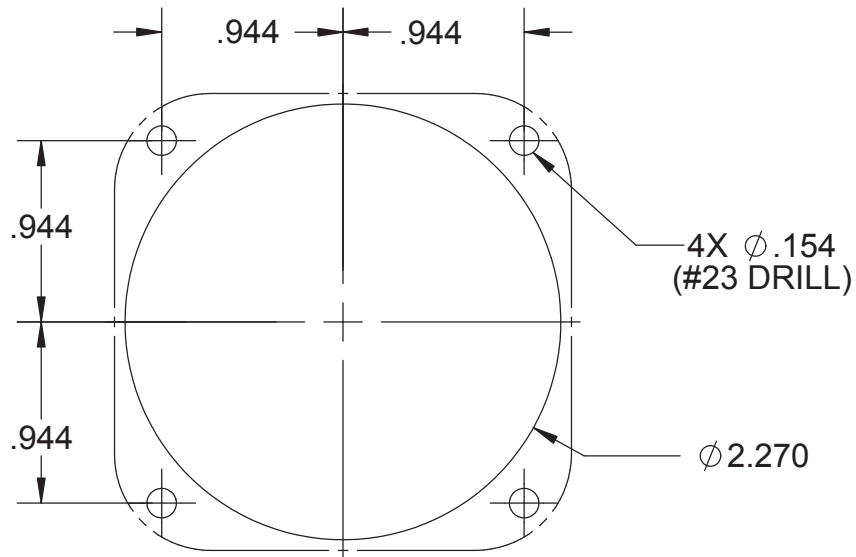


FLUSH PANEL MOUNTING



DRILL DIMENSIONS / TEMPLATE



PROPRIETARY AND CONFIDENTIAL

THE INFORMATION CONTAINED IN THIS DRAWING IS THE SOLE PROPERTY OF DEPOTSTAR. ANY REPRODUCTION IN PART OR AS A WHOLE WITHOUT THE WRITTEN PERMISSION OF DEPOTSTAR IS PROHIBITED.

		DIMENSIONS ARE IN INCHES TOLERANCES: FRACTIONAL \pm ANGULAR: MACH \pm BEND \pm TWO PLACE DECIMAL \pm THREE PLACE DECIMAL \pm	NAME AARON	DATE 11/1/10
		MATERIAL N/A	CHECKED *	* *
		FINISH N/A	ENG APPR. *	* *
NEXT ASSY	USED ON		MFG APPR. *	* *
		APPLICATION DO NOT SCALE DRAWING	Q.A. *	* *
			COMMENTS:	



2-1/4" ROUND MOUNTING

SIZE A	DWG. NO. CUTOUT DRAWINGS	REV. A
SCALE: 1:1	SHEET 10 OF 10	