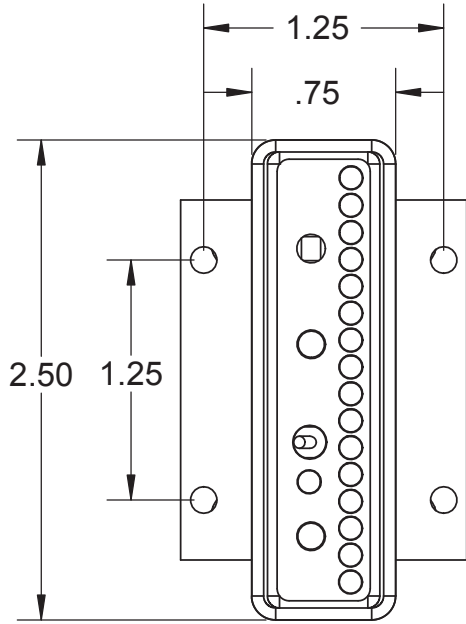
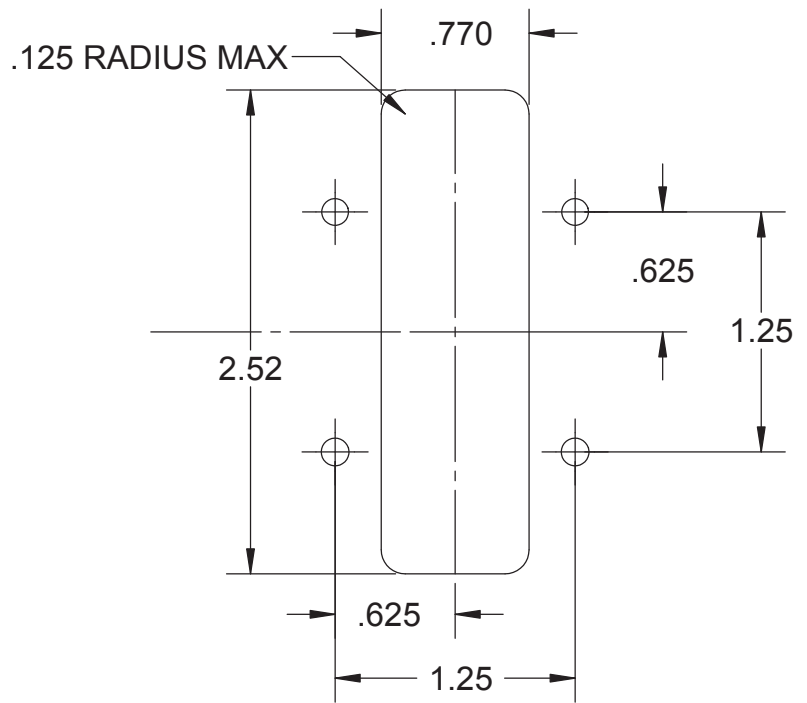


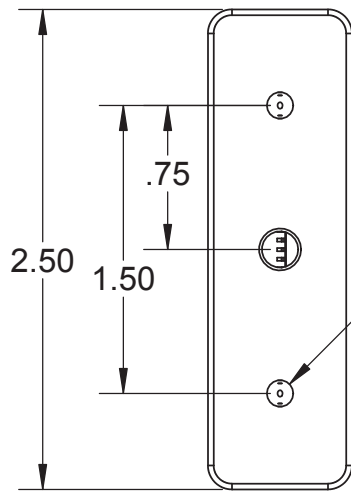
**FLUSH PANEL MOUNTING  
(SHOWN WITH BRACKET INSTALLED)**



**CUTOUT DIMENSIONS/ TEMPLATE**

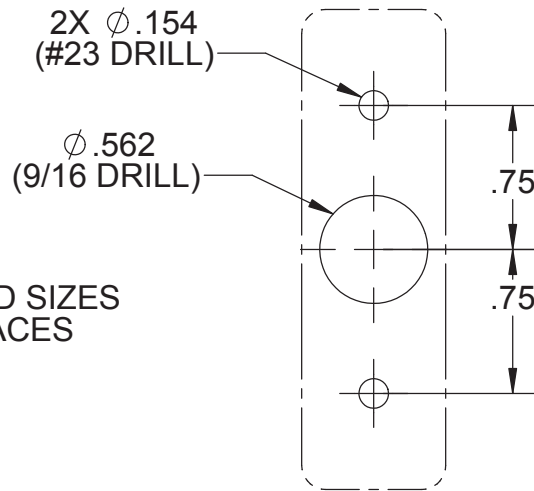



**BACK MOUNTING**



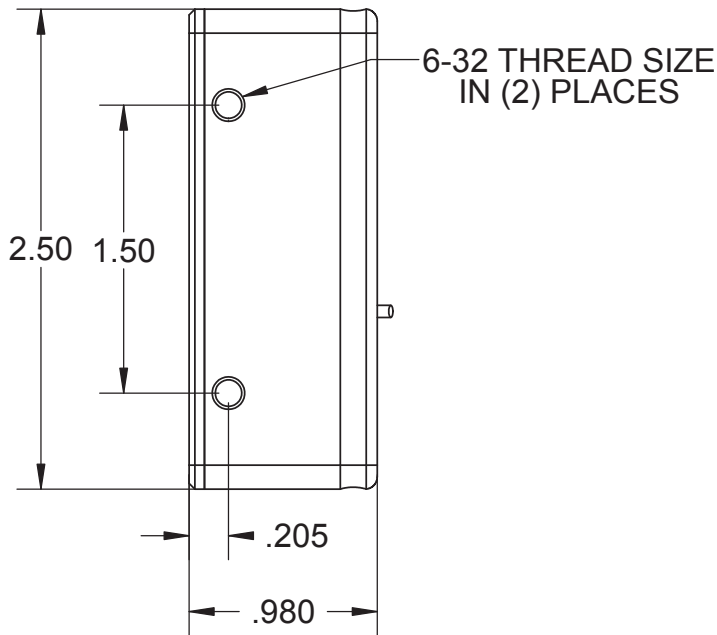
6-32 THREAD SIZES  
IN (2) PLACES

**DRILL DIMENSIONS / TEMPLATE**

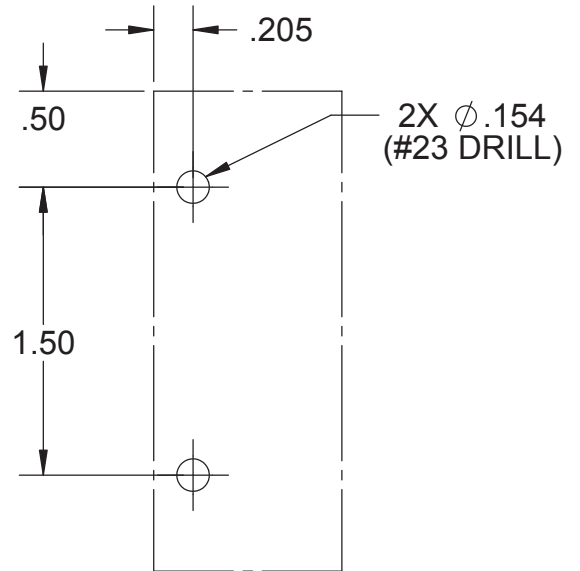


<p><b>PROPRIETARY AND CONFIDENTIAL</b> THE INFORMATION CONTAINED IN THIS DRAWING IS THE SOLE PROPERTY OF DEPOTSTAR. ANY REPRODUCTION IN PART OR AS A WHOLE WITHOUT THE WRITTEN PERMISSION OF DEPOTSTAR IS PROHIBITED.</p>			DIMENSIONS ARE IN INCHES TOLERANCES: FRACTIONAL ± ANGULAR: MACH ± BEND ± TWO PLACE DECIMAL ± THREE PLACE DECIMAL ±	NAME	DATE	  <b>2-1/2" ULTRA MOUNTING</b>	
				DRAWN	AARON		11/1/10
				CHECKED	*		*
				ENG APPR.	*		*
			MFG APPR.	*	*		
			Q.A.	*	*		
			COMMENTS:				
		MATERIAL	N/A				
		FINISH	N/A				
	NEXT ASSY	USED ON					
	APPLICATION		DO NOT SCALE DRAWING				
			SIZE	DWG. NO.	REV.		
			<b>A</b>	CUTOUT DRAWINGS	<b>A</b>		
			SCALE: 1:1		SHEET 4 OF 10		

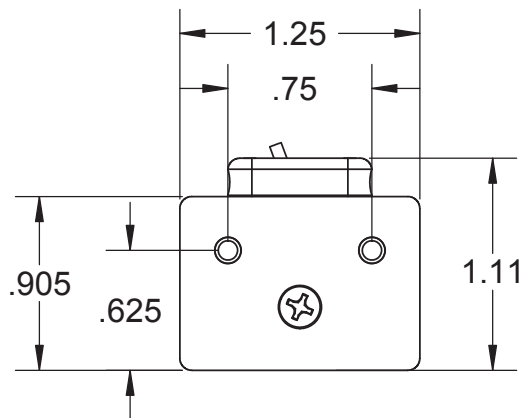
HORIZONTAL  
TOP / BOTTOM MOUNTING



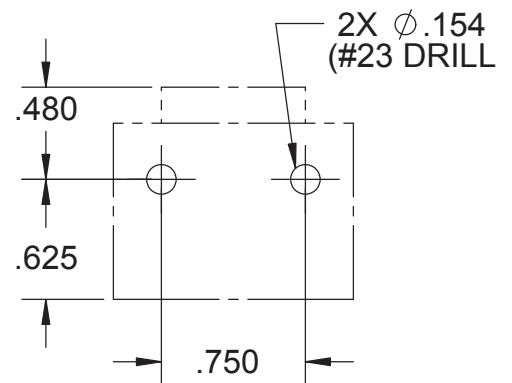
DRILL DIMENSIONS / TEMPLATE




VERTICAL  
TOP / BOTTOM MOUNTING  
(SHOWN WITH OPTIONAL BRACKET INSTALLED)

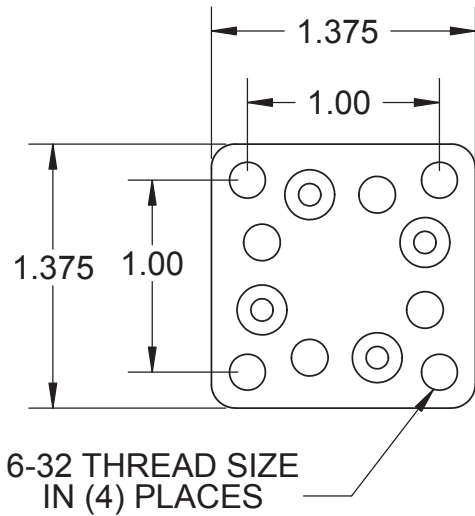


DRILL DIMENSIONS / TEMPLATE

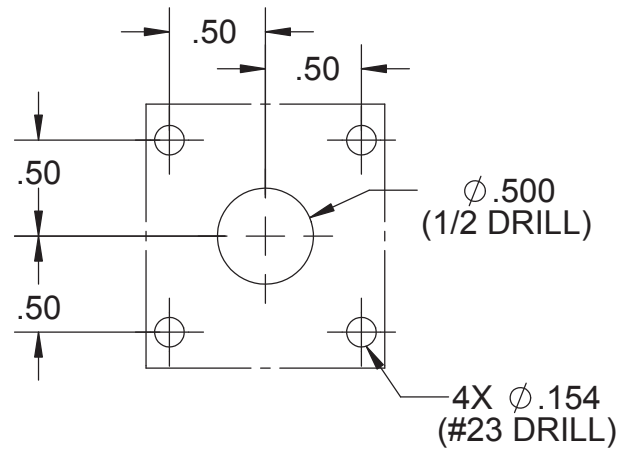


<p><b>PROPRIETARY AND CONFIDENTIAL</b></p> <p>THE INFORMATION CONTAINED IN THIS DRAWING IS THE SOLE PROPERTY OF DEPOTSTAR. ANY REPRODUCTION IN PART OR AS A WHOLE WITHOUT THE WRITTEN PERMISSION OF DEPOTSTAR IS PROHIBITED.</p>			<p>DIMENSIONS ARE IN INCHES TOLERANCES: FRACTIONAL <math>\pm</math> ANGULAR: MACH <math>\pm</math> BEND <math>\pm</math> TWO PLACE DECIMAL <math>\pm</math> THREE PLACE DECIMAL <math>\pm</math></p>	NAME	DATE	 <b>2-1/2" ULTRA MOUNTING</b>	
				DRAWN	AARON		11/1/10
				CHECKED	*		*
				ENG APPR.	*		*
				MFG APPR.	*		*
			Q.A.	*	*		
			COMMENTS:				
		MATERIAL	N/A				
		FINISH	N/A				
	NEXT ASSY	USED ON					
	APPLICATION		DO NOT SCALE DRAWING				
				SCALE: 1:1		<p>SIZE <b>A</b> DWG. NO. <b>CUTOUT DRAWINGS</b> REV. <b>A</b></p> <p>SHEET 5 OF 10</p>	

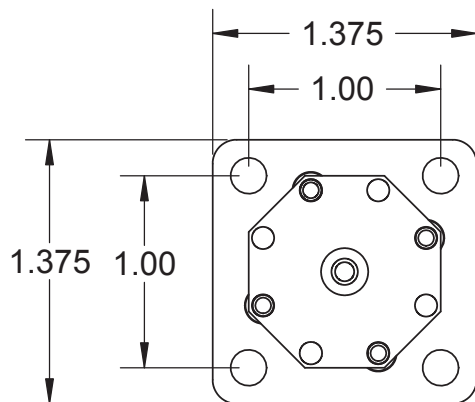
OPTIONAL SWIVEL MOUNT  
FLUSH MOUNTING



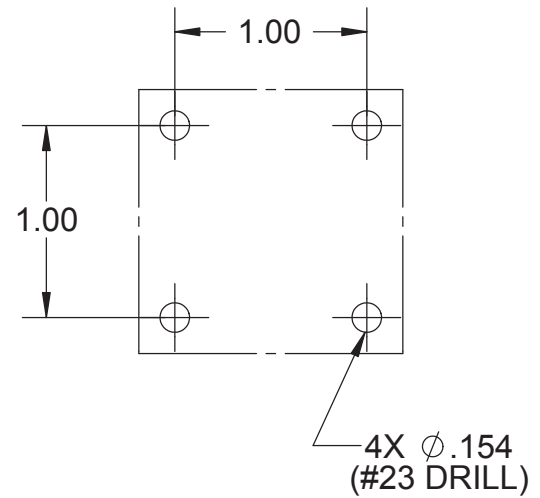
DRILL DIMENSIONS / TEMPLATE



OPTIONAL SWIVEL MOUNT  
SURFACE MOUNTING



DRILL DIMENSIONS / TEMPLATE



**PROPRIETARY AND CONFIDENTIAL**  
THE INFORMATION CONTAINED IN THIS DRAWING IS THE SOLE PROPERTY OF DEPOTSTAR. ANY REPRODUCTION IN PART OR AS A WHOLE WITHOUT THE WRITTEN PERMISSION OF DEPOTSTAR IS PROHIBITED.

		DIMENSIONS ARE IN INCHES TOLERANCES: FRACTIONAL $\pm$ ANGULAR: MACH $\pm$ BEND $\pm$ TWO PLACE DECIMAL $\pm$ THREE PLACE DECIMAL $\pm$
		MATERIAL N/A
NEXT ASSY	USED ON	FINISH N/A
APPLICATION		DO NOT SCALE DRAWING

	NAME	DATE
DRAWN	AARON	11/1/10
CHECKED	*	*
ENG APPR.	*	*
MFG APPR.	*	*
Q.A.	*	*
COMMENTS:		



2-1/2" ULTRA  
MOUNTING

SIZE <b>A</b>	DWG. NO. CUTOUT DRAWINGS	REV. <b>A</b>
SCALE: 1:1	SHEET 6 OF 10	