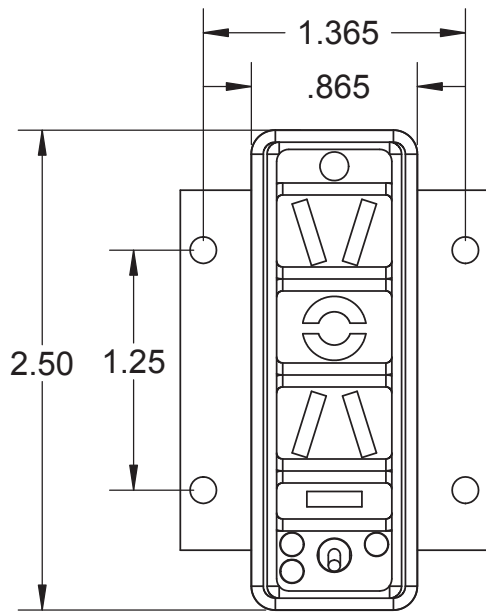
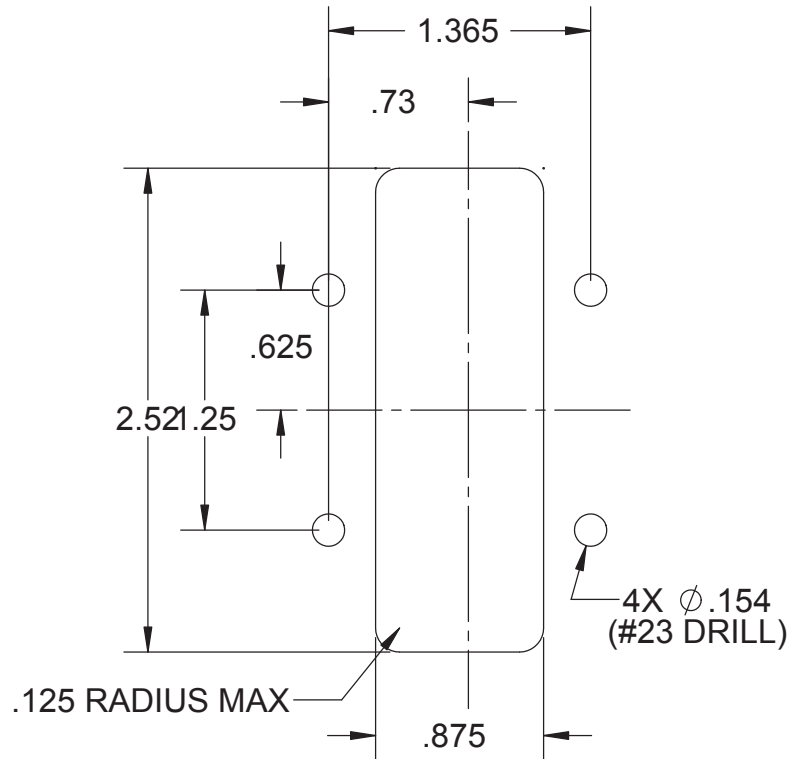


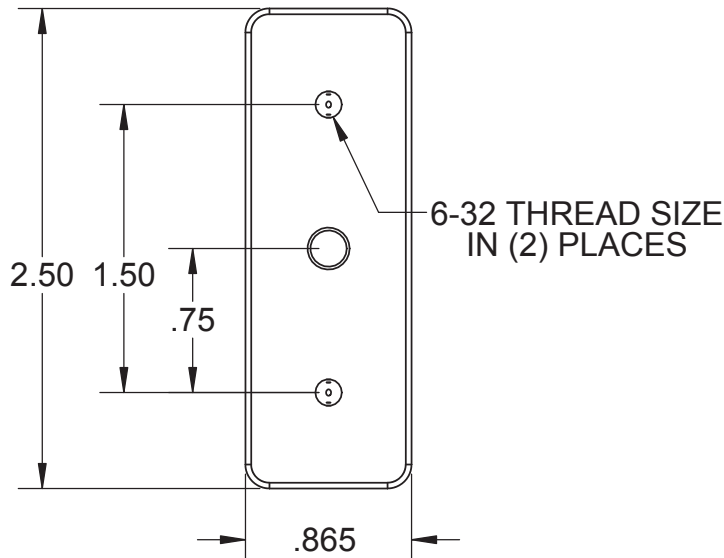
**FLUSH PANEL MOUNTING  
(SHOWN WITH BRACKETS INSTALLED)**



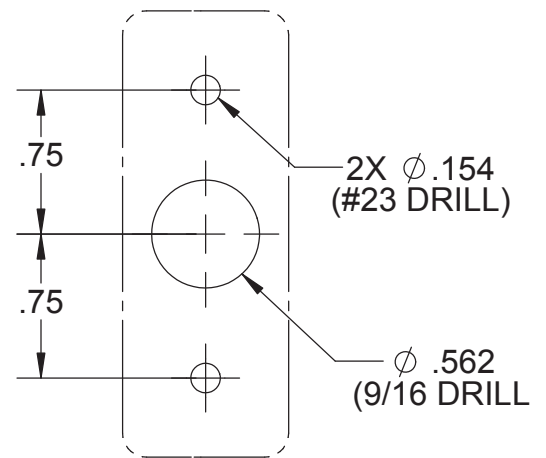
**CUTOUT DIMENSIONS / TEMPLATE**



**BACK DIMENSIONS**



**DRILL DIMENSIONS / TEMPLATE**



**PROPRIETARY AND CONFIDENTIAL**

THE INFORMATION CONTAINED IN THIS DRAWING IS THE SOLE PROPERTY OF DEPOTSTAR. ANY REPRODUCTION IN PART OR AS A WHOLE WITHOUT THE WRITTEN PERMISSION OF DEPOTSTAR IS PROHIBITED.

		DIMENSIONS ARE IN INCHES TOLERANCES: FRACTIONAL ± ANGULAR: MACH ± BEND ± TWO PLACE DECIMAL ± THREE PLACE DECIMAL ±
		MATERIAL N/A
NEXT ASSY	USED ON	FINISH N/A
APPLICATION		DO NOT SCALE DRAWING

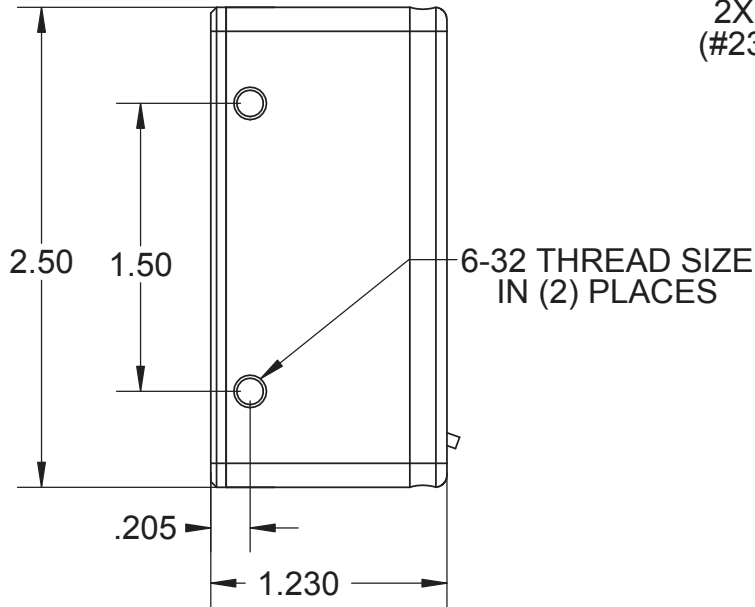
	NAME	DATE
DRAWN	AARON	11/1/10
CHECKED	*	*
ENG APPR.	*	*
MFG APPR.	*	*
Q.A.	*	*
COMMENTS:		



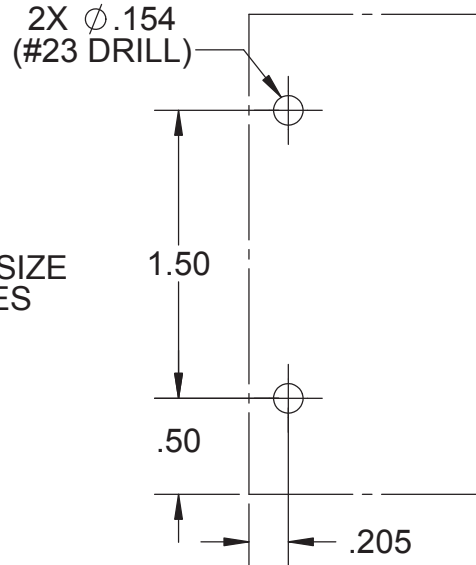
**2-1/2" LEGACY  
MOUNTING**

SIZE <b>A</b>	DWG. NO. <b>CUTOUT DRAWINGS</b>	REV. <b>A</b>
SCALE: 1:1	SHEET 1 OF 10	

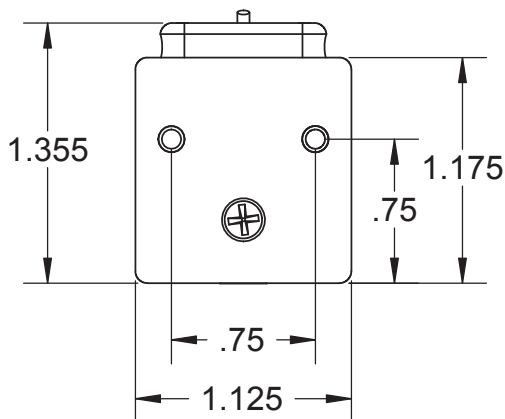
HORIZONTAL  
TOP / BOTTOM MOUNTING



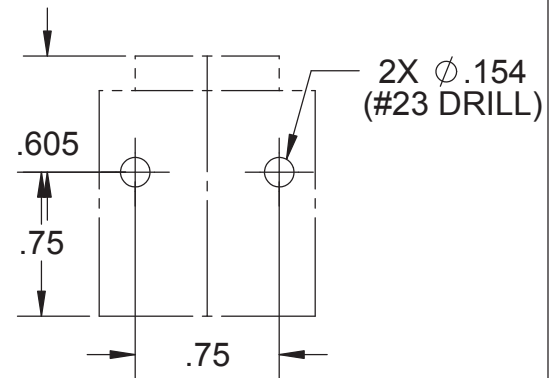
DRILL DIMENSIONS / TEMPLATE




VERTICAL  
TOP / BOTTOM MOUNTING  
SHOWN WITH OPTIONAL BRACKET INSTALLED

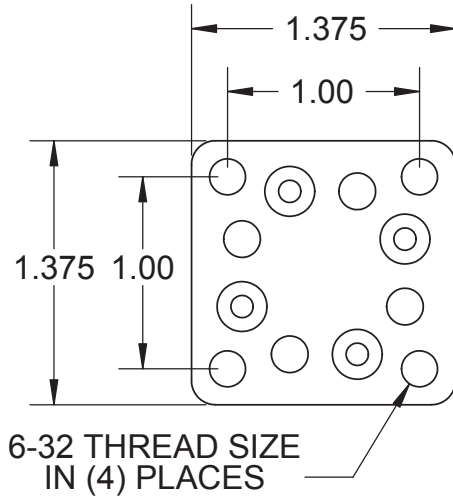


DRILL DIMENSIONS / TEMPLATE

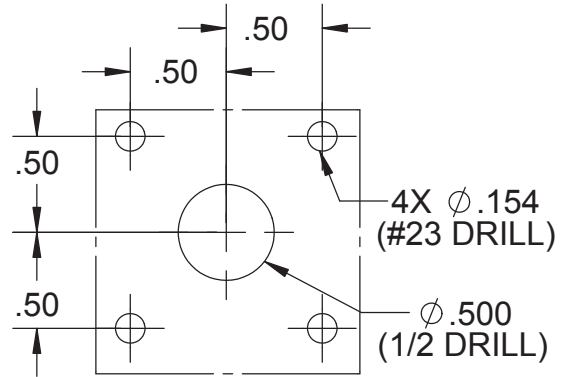


<p><b>PROPRIETARY AND CONFIDENTIAL</b></p> <p>THE INFORMATION CONTAINED IN THIS DRAWING IS THE SOLE PROPERTY OF DEPOTSTAR. ANY REPRODUCTION IN PART OR AS A WHOLE WITHOUT THE WRITTEN PERMISSION OF DEPOTSTAR IS PROHIBITED.</p>			<p>DIMENSIONS ARE IN INCHES TOLERANCES: FRACTIONAL ± ANGULAR: MACH ± BEND ± TWO PLACE DECIMAL ± THREE PLACE DECIMAL ±</p>	NAME	DATE	 <p><b>2-1/2" LEGACY MOUNTING</b></p>	
				DRAWN	AARON		11/1/10
				CHECKED	*		*
				ENG APPR.	*		*
				MFG APPR.	*		*
			Q.A.	*	*		
			COMMENTS:				
		MATERIAL	N/A				
		FINISH	N/A				
	NEXT ASSY	USED ON					
	APPLICATION		DO NOT SCALE DRAWING				
				SCALE: 1:1		<p>SIZE <b>A</b> DWG. NO. <b>CUTOUT DRAWINGS</b> REV. <b>A</b></p> <p>SHEET 2 OF 10</p>	

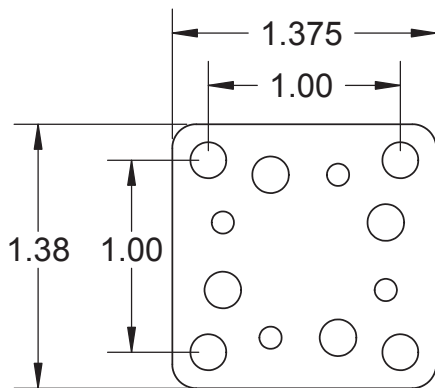
OPTIONAL SWIVEL MOUNT  
FLUSH MOUNTING



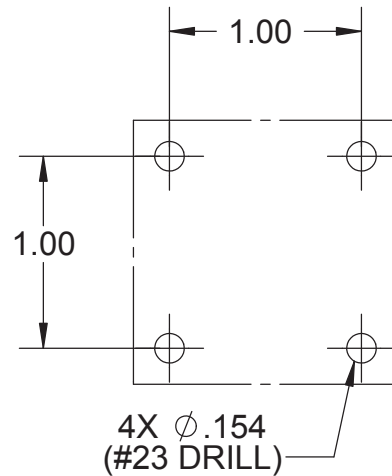
DRILL DIMENSIONS / TEMPLATE




OPTIONAL SWIVEL MOUNT  
SURFACE MOUNTING



DRILL DIMENSIONS / TEMPLATE



<p><b>PROPRIETARY AND CONFIDENTIAL</b></p> <p>THE INFORMATION CONTAINED IN THIS DRAWING IS THE SOLE PROPERTY OF DEPOTSTAR. ANY REPRODUCTION IN PART OR AS A WHOLE WITHOUT THE WRITTEN PERMISSION OF DEPOTSTAR IS PROHIBITED.</p>			<p>DIMENSIONS ARE IN INCHES TOLERANCES: FRACTIONAL ± ANGULAR: MACH ± BEND ± TWO PLACE DECIMAL ± THREE PLACE DECIMAL ±</p>	NAME	DATE	 <p><b>2-1/2" LEGACY MOUNTING</b></p>	
				DRAWN	AARON		11/1/10
				CHECKED	*		*
				ENG APPR.	*		*
				MFG APPR.	*		*
				Q.A.	*		*
		MATERIAL	N/A	COMMENTS:			
		FINISH	N/A				
	NEXT ASSY	USED ON					
	APPLICATION		DO NOT SCALE DRAWING				
				SIZE	DWG. NO.	REV.	
				<b>A</b>	CUTOUT DRAWINGS	<b>A</b>	
				SCALE: 1:1		SHEET 3 OF 10	