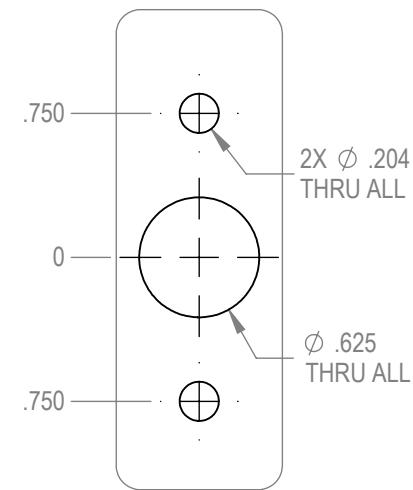
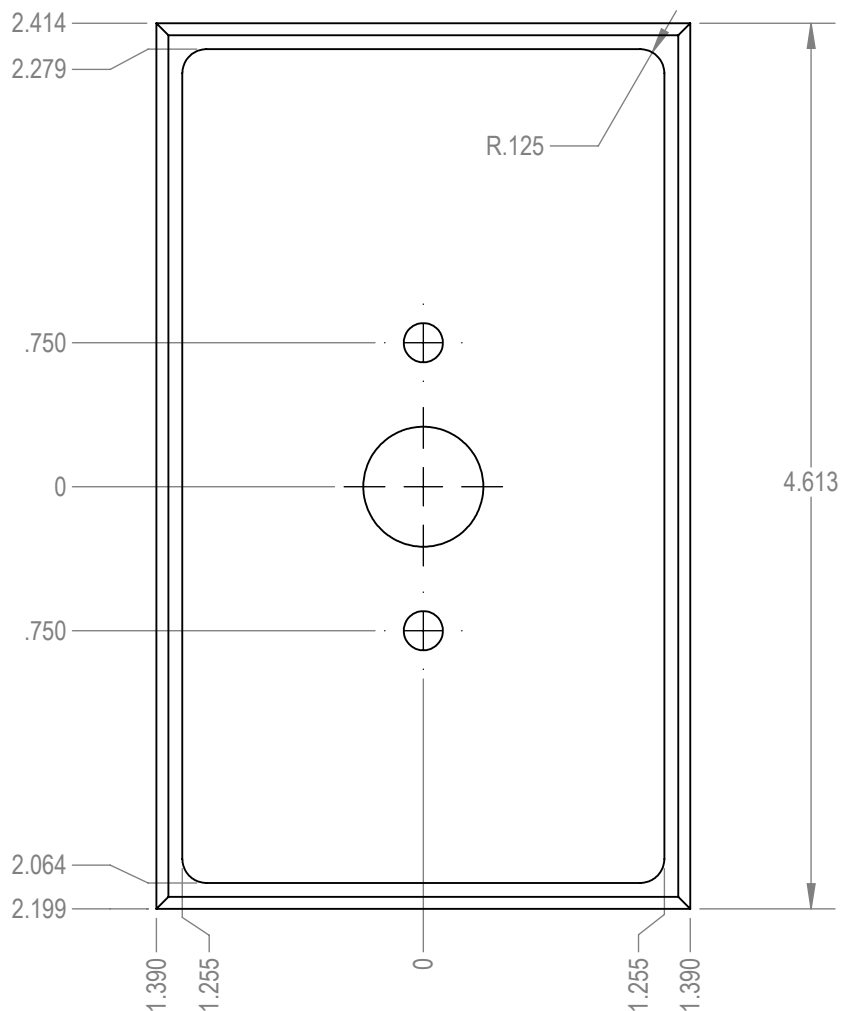
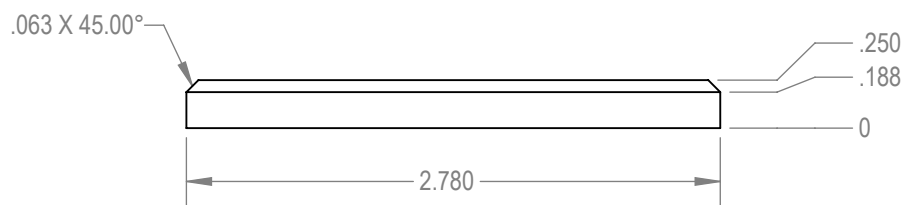


REV.	DESCRIPTION	DATE	DRAWN
A		7/10/2019	BJS



NOTE:
- DO NOT TUMBLE
FINISH:
-BRIGHT DIP BLACK ANODIZE
-DO NOT MARK OR DAMAGE PART
-EVENLY COAT FOR UNIFORM FINISH



FILE PATH: P:\Operations\DepotStar\Alpha Systems
AOA\Engineering_2013_Production\AOA-9000 Series Legacy\HUD Bezel
Dome\

UNLESS OTHERWISE SPECIFIED: UNITS ARE IN INCHES AND TOLERANCES ON DIMENSIONS ARE IN INCHES .X = ±.03 .XX = ±.01 .XXX = ±.005 DEG. = ±1° X/X = ± 1/16	DRAWN:	BJS	PROJECT:	
	DATE:	7/16/2019	TITLE:	
	SHEET:	1		
	SCALE:	1:2		AOA-9091 (HUD Above Dash Base Adapter Plate)
	SIZE:	A		
PROPRIETARY AND CONFIDENTIAL	QUANTITY:	1	PART #	
THE INFORMATION CONTAINED IN THIS DRAWING IS THE SOLE PROPERTY OF DEPOTSTAR. ANY REPRODUCTION IN PART OR AS A WHOLE WITHOUT THE WRITTEN PERMISSION OF DEPOTSTAR IS PROHIBITED.	MATERIAL:	6061 ALUM		REV: A