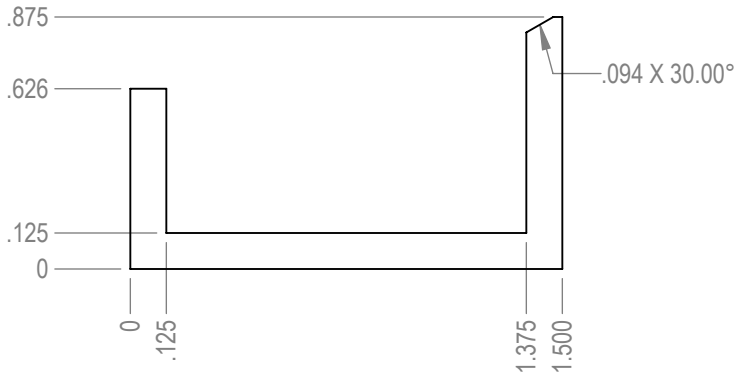
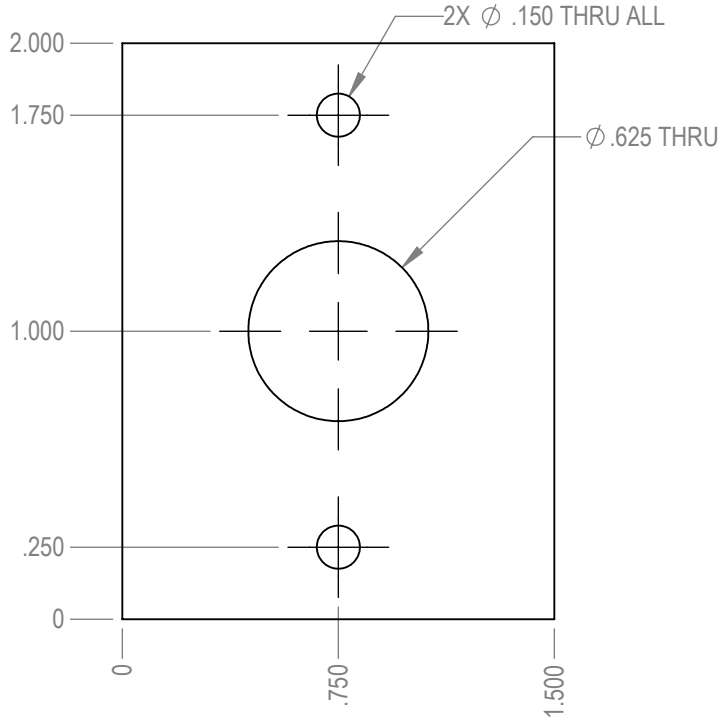
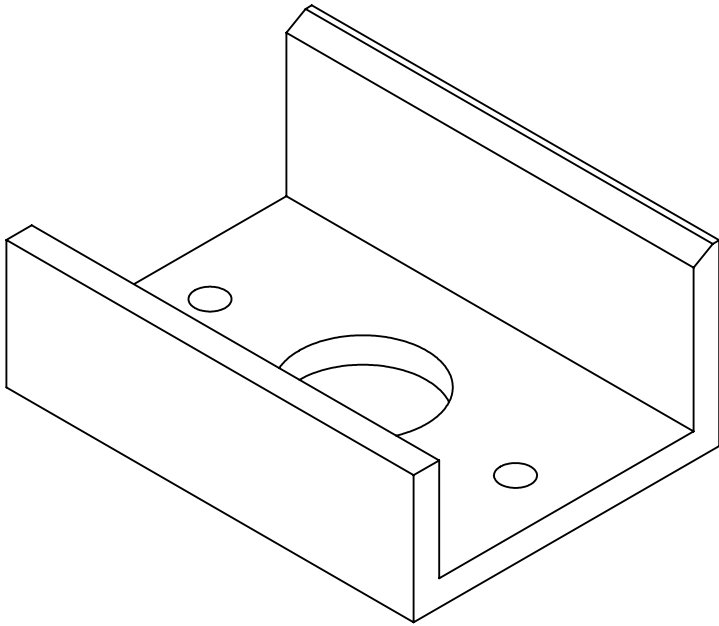


REV.	DESCRIPTION	DATE	DRAWN
A		10/21/2019	BJS



STOCK MATERIAL: 1-1/2" x 1" x 1/8" Aluminum C-Channel



NOTE: DO NOT TUMBLE  
 FINISH: BRIGHT DIP BLACK  
 DO NOT MARK OUTSIDE SURFACES OF PART WHEN ANODIZING  
 DO NOT DISTORT PART



FILE PATH: P:\Operations\DepotStar\Alpha Systems  
 AOA\Engineering\_2013\_Production\AOA-9000 Series Legacy\Evolution Glare  
 Shield Adapter\

UNLESS OTHERWISE SPECIFIED: UNITS ARE IN INCHES AND TOLERANCES ON DIMENSIONS ARE IN INCHES  .X = ±.03 .XX = ±.01 .XXX = ±.005 DEG. = ±1° X/X = ± 1/16	DRAWN:	BJS	PROJECT:	
	DATE:	2/10/2020	TITLE:	
	SHEET:	1		
	SCALE:	1:1		AOA-9097 (Sloped Flush Mount Clamp)
	SIZE:	A		
<b>PROPRIETARY AND CONFIDENTIAL</b>	QUANTITY:	2	PART #	
THE INFORMATION CONTAINED IN THIS DRAWING IS THE SOLE PROPERTY OF DEPOTSTAR. ANY REPRODUCTION IN PART OR AS A WHOLE WITHOUT THE WRITTEN PERMISSION OF DEPOTSTAR IS PROHIBITED.	MATERIAL:	Alum C-Channel		REV: A