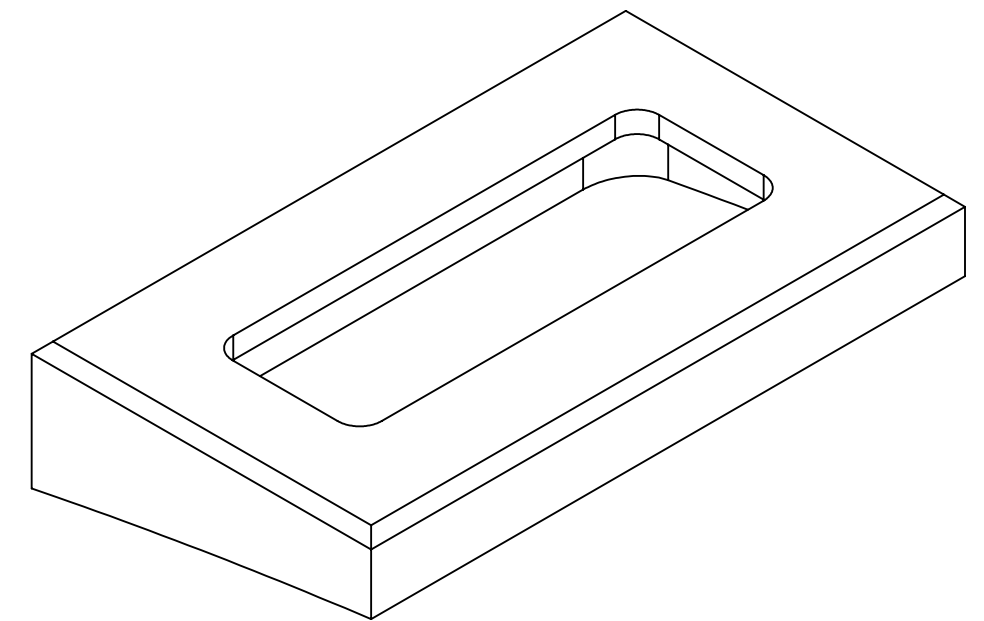


REV.	DESCRIPTION	DATE	DRAWN
A		2/6/2020	
B	INCREASED TOTAL HEIGHT	2/6/2020	BJS



NOTE: DO NOT TUMBLE
 FINISH: BRIGHT DIP BLACK
 DO NOT MARK OUTSIDE SURFACES OF PART WHEN ANODIZING
 DO NOT DISTORT PART



UNLESS OTHERWISE SPECIFIED: UNITS ARE IN INCHES AND TOLERANCES ON DIMENSIONS ARE IN INCHES .X = ±.03 .XX = ±.01 .XXX = ±.005 DEG. = ±1° X/X = ± 1/16	DRAWN:	BJS	PROJECT:	SHEET:
	DATE:	2/10/2020	TITLE:	
	SCALE:	1	DSTR-AOA-9095K (Sloped Flush Mount HUD Spacer)	
	SIZE:	B		
	QUANTITY:	2		
MATERIAL:	Black Delrin	PART #	REV:	B

FILE PATH: P:\Operations\DepotStar\Alpha Systems AOA\Engineering_2013_Production\AOA-9000 Series Legacy\Evolution Glare Shield Adapter\