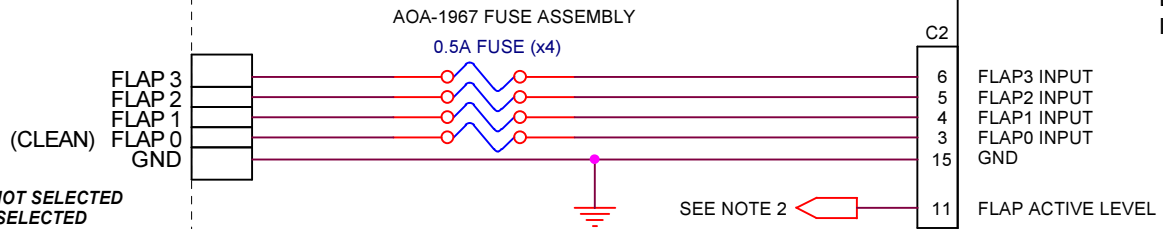
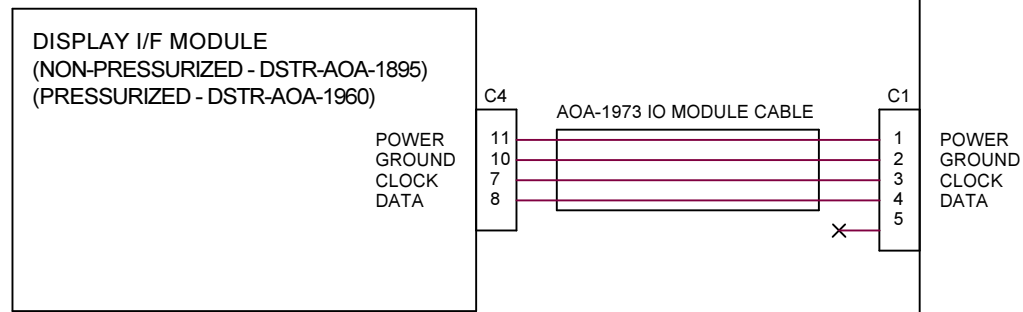
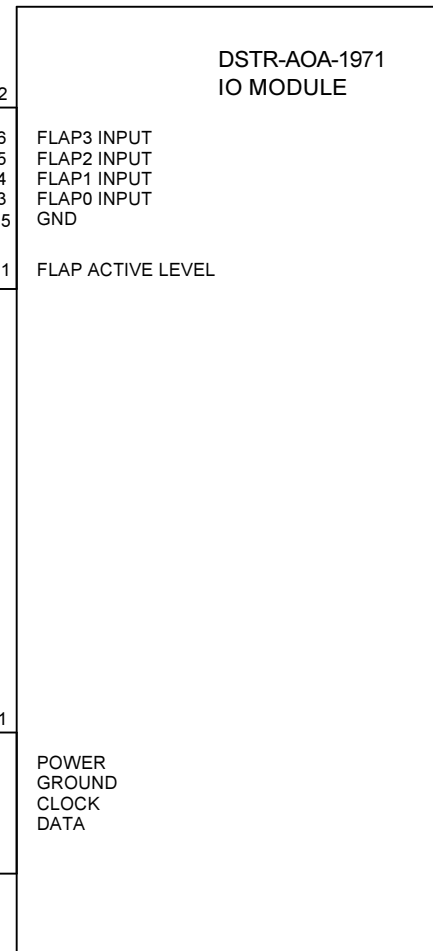


NOTES:

- (1) FLAPS 0 - 3 SIGNALS ARE TAKEN FROM THE AIRCRAFT'S EXISTING FLAP ACTIVATION SWITCHES OR CIRCUITS
- (2) FOR ACTIVE HIGH FLAPS; LEAVE C2-11 OPEN
FOR ACTIVE LOW FLAPS; GROUND C2-11



NOTE: ONE DSUB 15 CONN INCLUDED FOR INSTALLATION OF FLAPS AT C2



THIS PRINT AND ALL INFORMATION THEREON IS THE PROPERTY OF DEPOTSTAR

Title FLAP CONNECTION FOR DISCRETE FLAP INPUTS			
Size	Document Number DSTR-AOA-1971-1		Rev C
Date:	Wednesday, March 28, 2018	Sheet	1 of 1