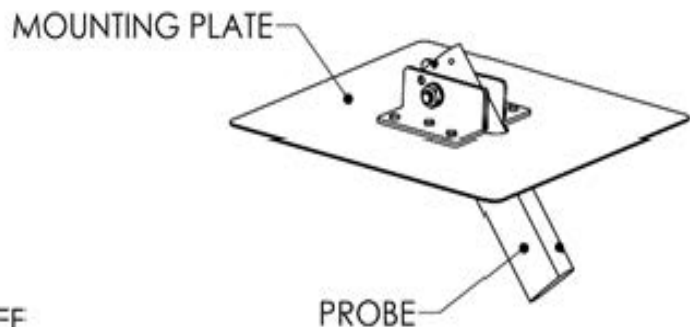
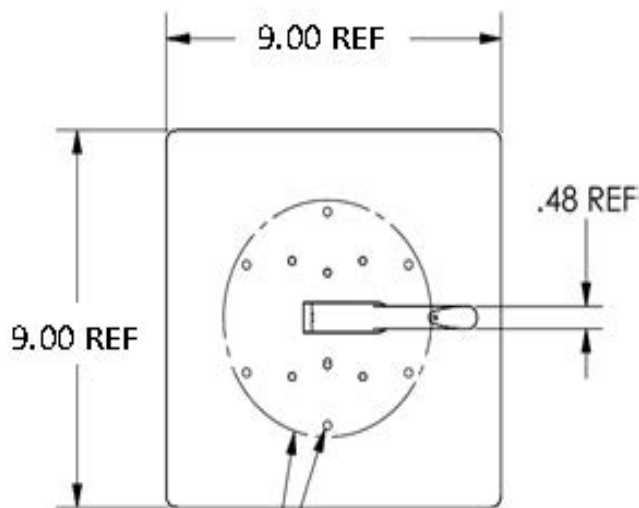
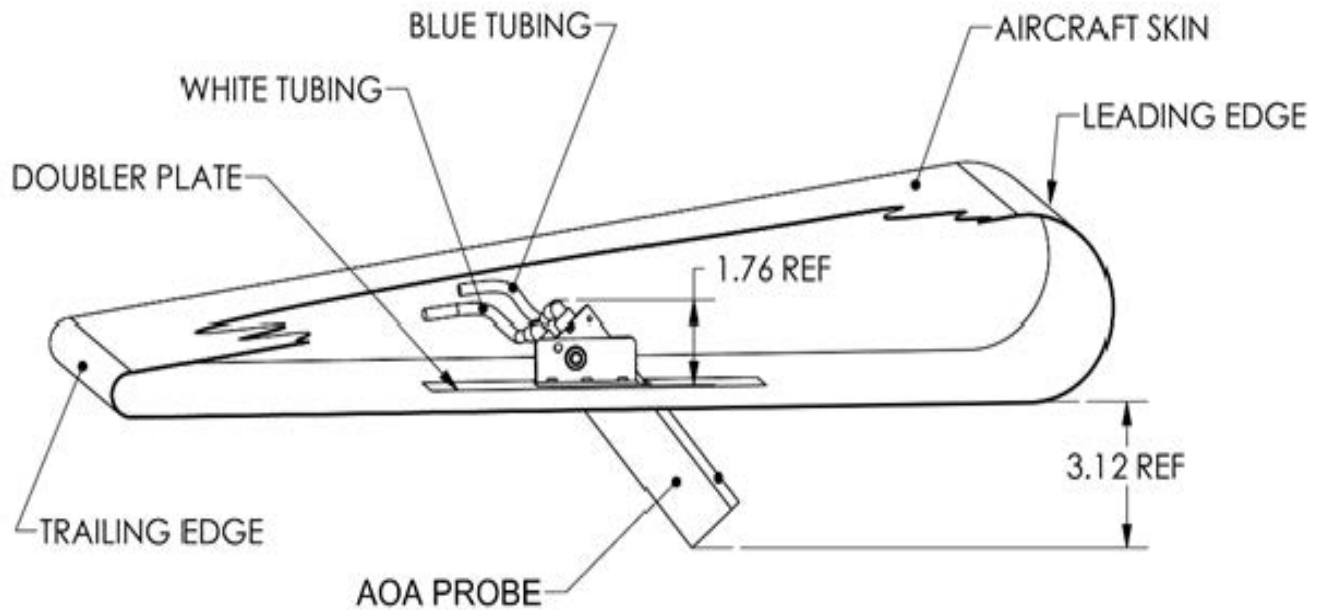


PROBE PLATE MOUNTING EXAMPLE



NOTES:

1. PROBE & 2 SWIVEL FITTINGS = .23 LBS
2. 9" X 9" MOUNTING PLATE PLUS MOUNTING BOLT NUT & WASHER = .38 LBS
3. ADD .23 LBS FOR OPTIONAL PROBE HEAT
4. WEIGHT OF THE SENSE LINES IS .02 LBS/FT

CUT MOUNTING PLATE TO FIT EXISTING OR CUSTOM OPENING SIZE IN AIRCRAFT SKIN. DRILL HOLES ON MOUNTING PLATE TO MATCH DOUBLER PLATE.



