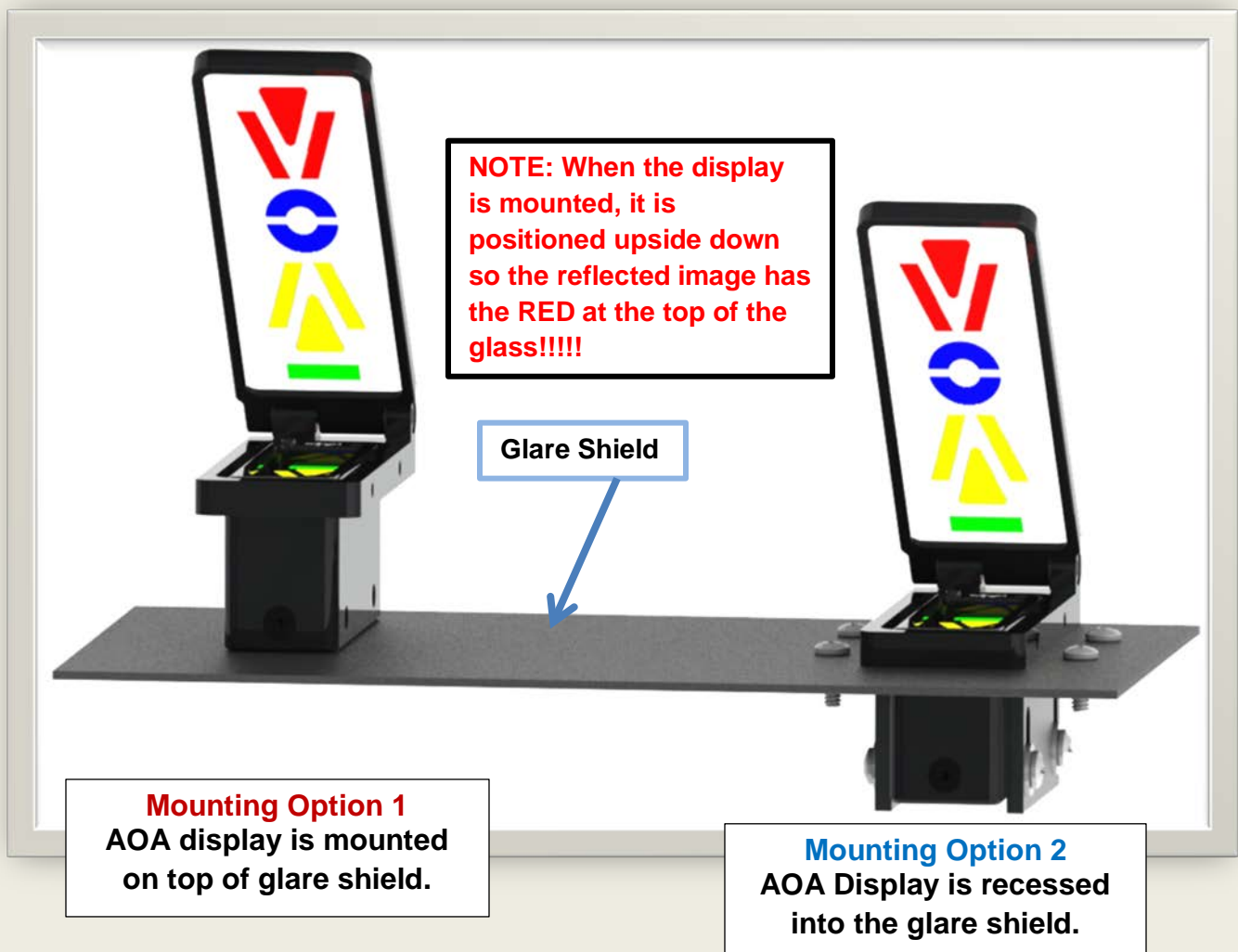


The “Valkyrie” (Heads Up Adapter)

Description: The Valkyrie Display adapter was designed to fit our standard vertical displays, such as the “Eagle” and “Falcon” line of 2.5” H X .865” wide displays. This “heads up” display adapter with the adjustable mounting brackets allows the display to be mounted in a flush mount below the glare shield pointing up. The Valkyrie mounting frame slides over the face of the AOA case and has four plastic tipped set screws that tighten against the front lip of our display. Once installed, the lens is tilted so the AOA display is reflected and viewed in the pilot’s peripheral vision. This glass allows the pilot to see through the glass and still see the colored segments.

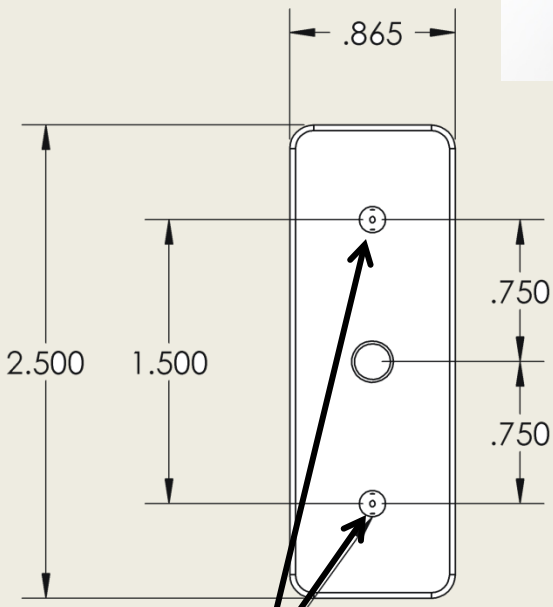
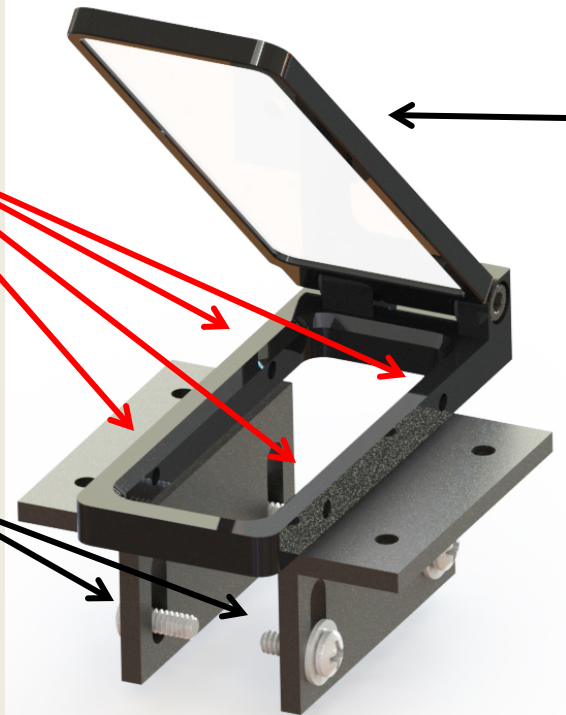


Most installations are completed as seen in **Option 2**. There must be 1.500” clearance under the glare shield to allow for the AOA case and the electrical cable clearance. The adjustable mounting brackets allow for thicknesses of glare shield and desired heights of the display mounting. To mount as seen in **Option 1**, there are two, 6-32 pre-threaded holes in the back of the display.

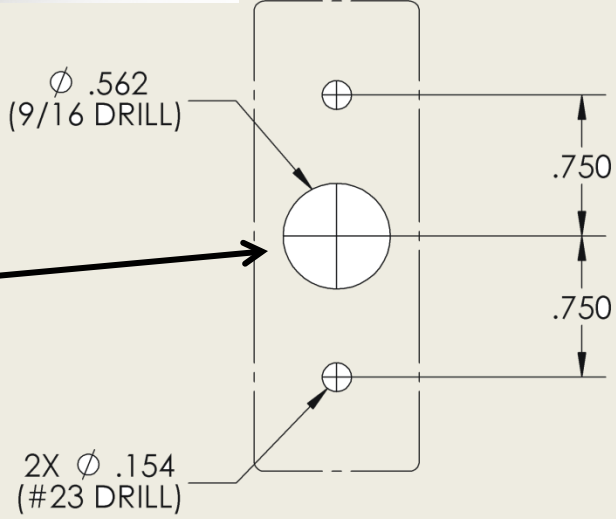
4 set screws to attach the frame to the AOA display.

The heads up glass is pilot adjustable for viewing or can be pushed down flat when not in use.

Adjustable mounting bracket screws attach to the side of the AOA display.



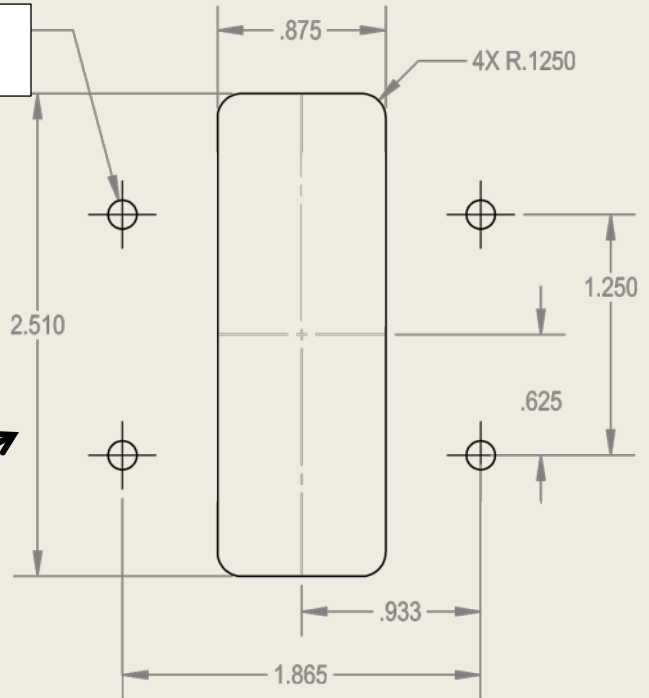
Hole locations on the back of the display to mount as seen in Option 1. 9/16" hole for clearance of display connector.



2 @ 6-32 threaded holes

Clearance for 6-32 X4

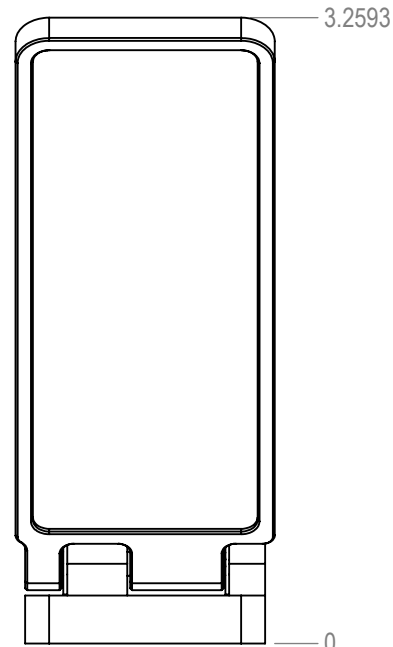
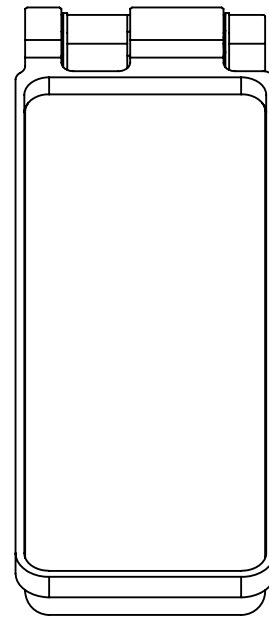
Glare shield cutout drawing for Option 2, flush mounting. This allows for the display to protrude up through the glare shield.



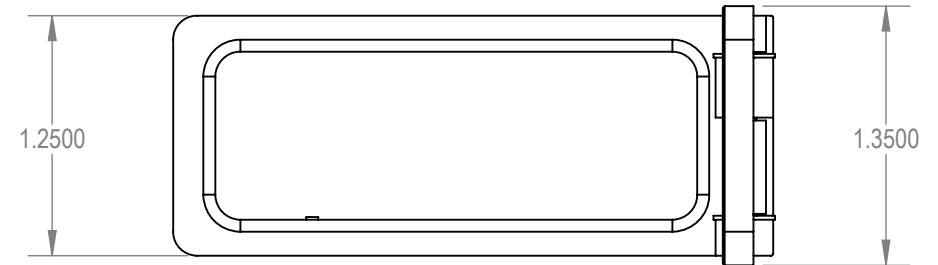
REV.	DESCRIPTION	DATE	DRAWN
------	-------------	------	-------



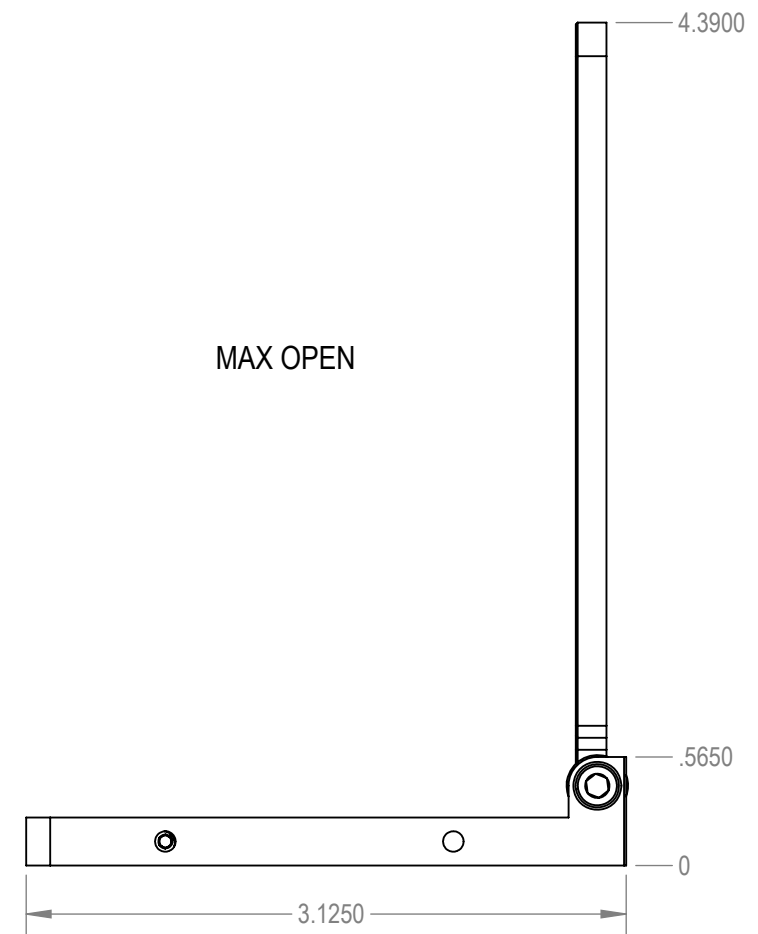
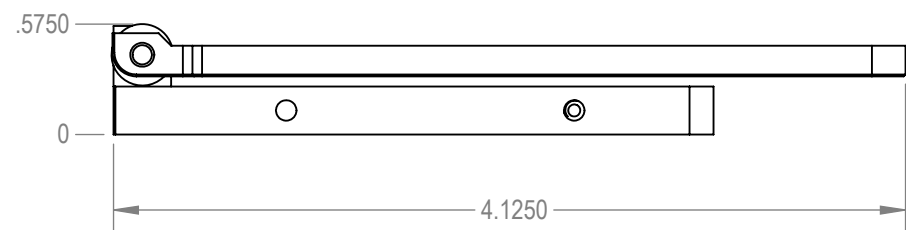
CLOSED POSITION



45 DEGREES



MAX OPEN



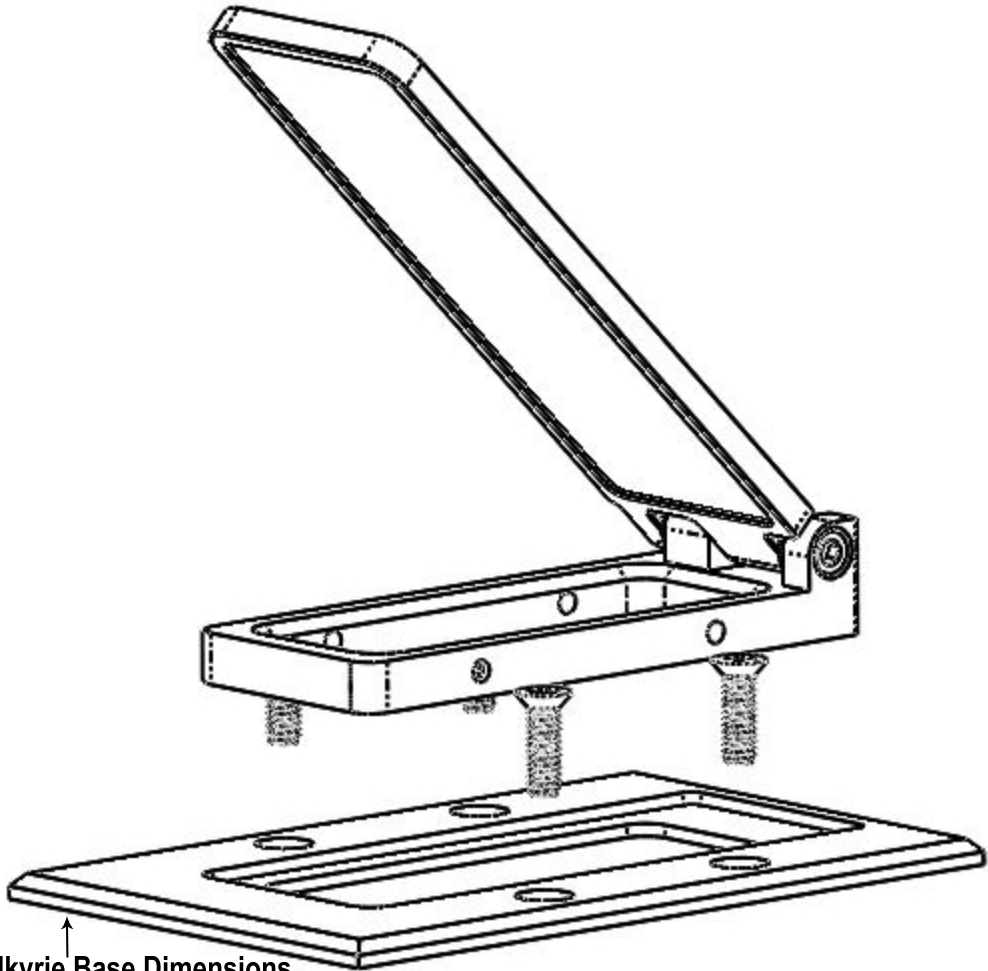
UNLESS OTHERWISE SPECIFIED:
 UNITS ARE IN INCHES AND
 TOLERANCES ON DIMENSIONS
 ARE IN INCHES
 .X = ±.03
 .XX = ±.01
 .XXX = ±.005
 DEG. = ±1°
 DEG. = ±1°
 X/X = ± 1/16

PROPRIETARY AND CONFIDENTIAL
 THE INFORMATION CONTAINED IN THIS
 DRAWING IS THE SOLE PROPERTY OF
 DEPOTSTAR. ANY REPRODUCTION IN
 PART OR AS A WHOLE WITHOUT THE
 WRITTEN PERMISSION OF DEPOTSTAR IS
 PROHIBITED.

DRAWN:
 DATE: 11/18/2014
 SHEET: 1
 SCALE: 1:1
 SIZE: B

PROJECT:
 TITLE:
 PART #
 DSTR-AOA-9075K (Valkyrie Heads up Kit)





Valkyrie Base Dimensions
Width: 2.5" Length: 4"

