

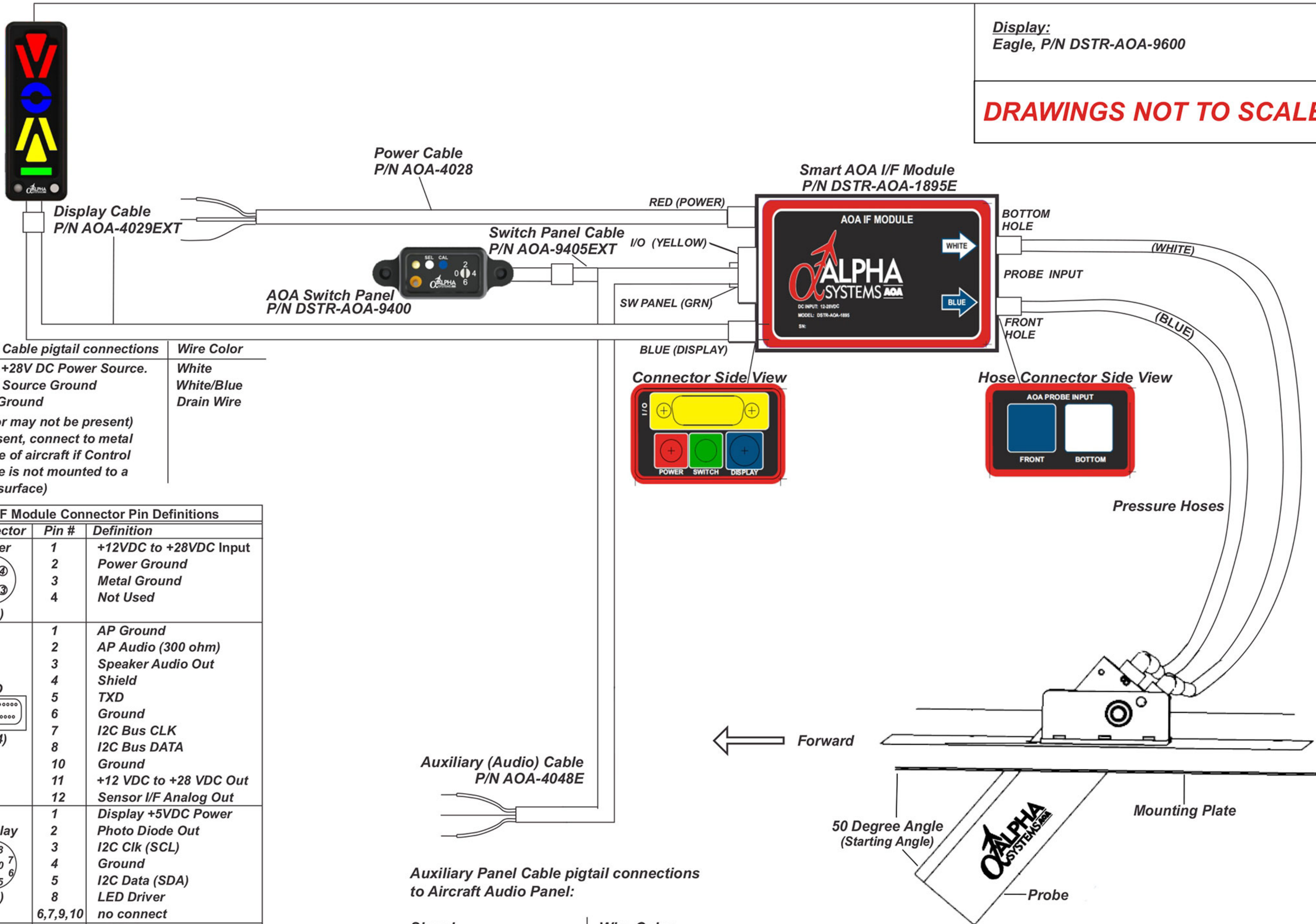
- Red** - I/F Module Power Cable
- Green** - Switch Panel Extension Cable
- Yellow** - Enhanced AUX Cable
- Blue** - Display Extension Cable

Alpha Systems AOA Eagle Kit Connection Diagram DSTR-AOA-9600K

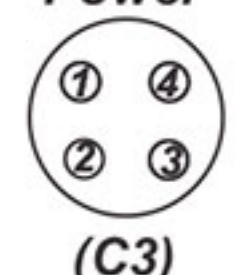
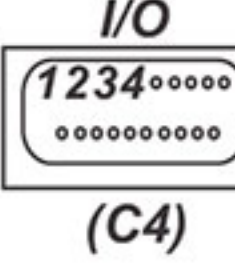
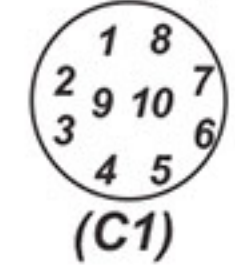
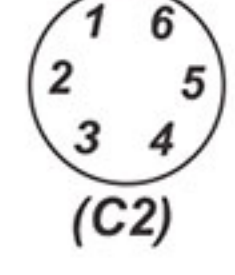


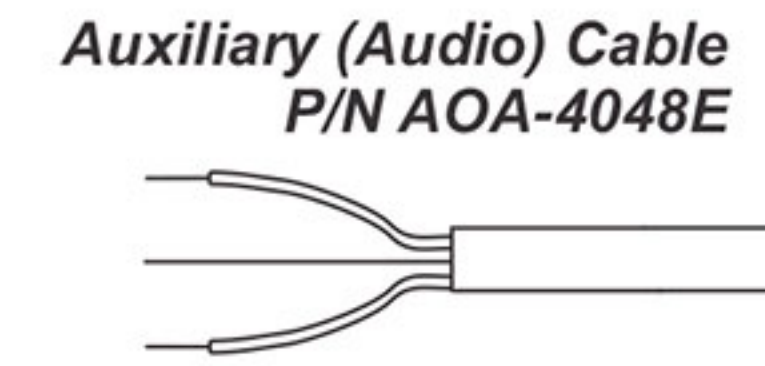
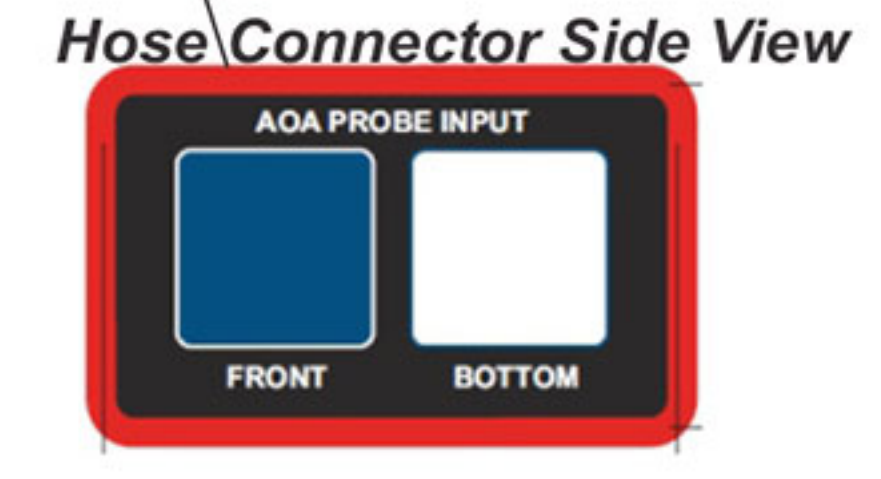
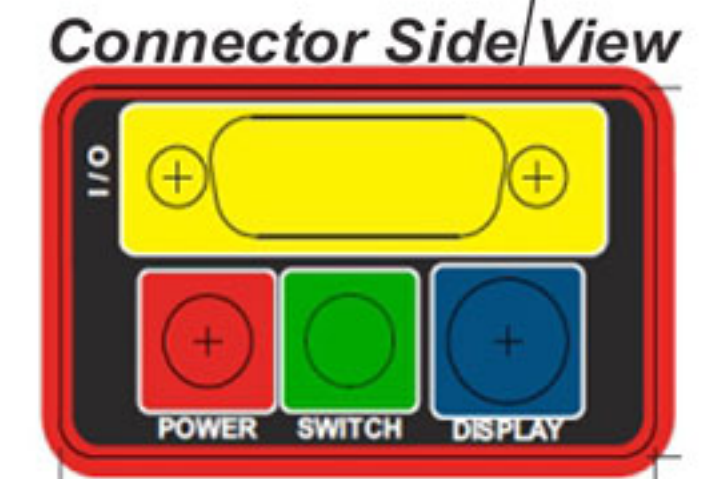
Display:  
Eagle, P/N DSTR-AOA-9600

**DRAWINGS NOT TO SCALE**



Power Cable pigtail connections	Wire Color
+12 to +28V DC Power Source.	White
Power Source Ground	White/Blue
Metal Ground	Drain Wire
<i>(may or may not be present)</i>	
<i>(If present, connect to metal surface of aircraft if Control Module is not mounted to a metal surface)</i>	

AOA I/F Module Connector Pin Definitions		
Connector	Pin #	Definition
 (C3)	1	+12VDC to +28VDC Input
	2	Power Ground
	3	Metal Ground
	4	Not Used
 (C4)	1	AP Ground
	2	AP Audio (300 ohm)
	3	Speaker Audio Out
	4	Shield
	5	TXD
	6	Ground
	7	I2C Bus CLK
	8	I2C Bus DATA
	10	Ground
	11	+12 VDC to +28 VDC Out
	12	Sensor I/F Analog Out
	 (C1)	1
2		Photo Diode Out
3		I2C Clk (SCL)
4		Ground
5		I2C Data (SDA)
8		LED Driver
6,7,9,10		no connect
 (C2)		1
	2	Ground
	3	I2C Clk (SCL)
	4	I2C Data (SDA)
	5	Reserved
	6	Reserved



Auxiliary Panel Cable pigtail connections to Aircraft Audio Panel:

Signal	Wire Color
AP Audio (300 ohm)	Green/White
Speaker Audio Out	ORG/White
AP Ground	Black/White
Shielding wire	Bare Wire

One or the other

1 Volt P-P max, @ 300 ohm input impedance

**Alpha Systems AOA Eagle Connection Diagram (DSTR-AOA-9600K)**

DWG NO. SCH 001	03-08-2017	REV G
-----------------	------------	-------